

Pressure Gauges - MG 063

- Used where no high accuracy is needed.
- Used with gas and liquids which do not attack stainless steel 316L.

Industry Sector: Water treatment technologies, Machinery Manufacturing, Heating, ventilation, air conditioning (HVAC), Pumps/Compressors and Hydraulic/Pneumatics,



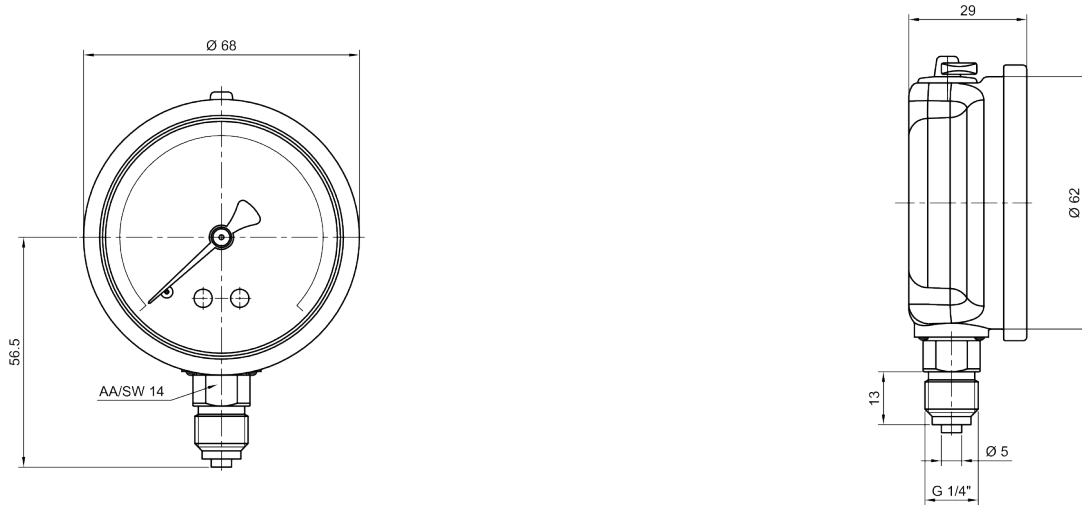
Usage Properties

Operating Pressure (max.)	· Must not exceed 75% of full scale.
Conformity	· EN 837 - 1
Accuracy Class	· CL 2.5
Protection Rate	· IP 65
Mechanical Vibration Test	· 10Hz-150Hz 1 Octave/minute - 3 axis
Mechanical Shock Test Load	· 15g
Optimum Operating Range	· Between 0,1 x PN and 0,75 x PN
Over Pressure Limit	· PN x 1.25
Fluid Temperature	· Maximum + 60 °C
Ambient Temperature	· - 20 ... + 60 °C
Storage Temperature	· -40 ... +70 °C

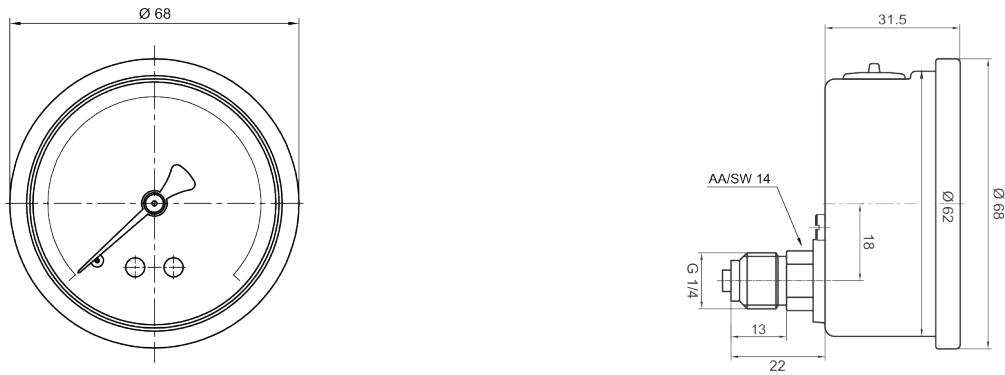
Constructive Properties

Mounting Type	· Bottom Connection
Scale Unit	· bar/psi
Scale Range (PN)	· 0/2,5 · 0/4 · 0/6 · 0/10 · 0/16 · 0/25 · 0/40 · 0/60 · 0/100 · 0/160 · 0/250 · 0 - 315 · 0/400 · 0/600
Case	· Stainless Steel AISI-304
Movement	· Stainless Steel AISI-304
Window	· Polycarbonate
Wetted Parts	· Stainless Steel AISI-316L
Connection	· G 1/4" B
Dial	· Aluminum
Pointer	· Aluminum
Welding	· Soldering

Technical Drawings - MG 063



063 101 01 /

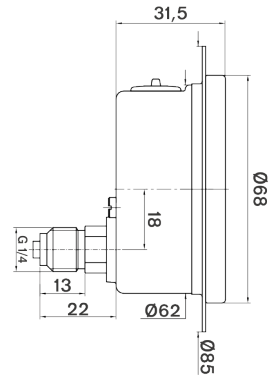
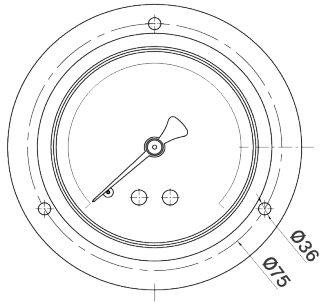


063 101 04 /



063 101 05 /

Technical Drawings - MG 063



063 101 08 /