

## Pressure Gauges - MG 050



- Used for measuring liquid and gases which are suitable to copper alloys under vibrati conditions.
  - For aggressive medias Stainless steel AISI 316L or Monel400 can be used.
- Industry Sector: Petro-chemical plants, Mining industry, Machinery Manufacturing and Hydraulics/Pneumatics,



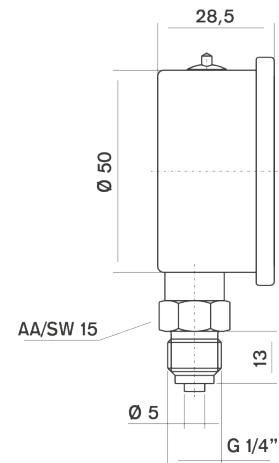
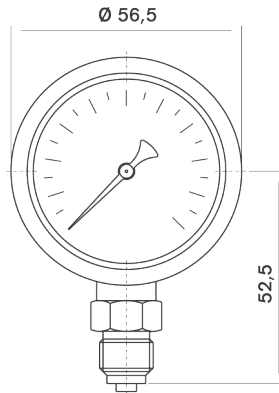
### Usage Properties

Operating Pressure (max.)	· Must not exceed %75 <sup>1</sup> of full scale.
Conformity	· EN 837 - 1
Accuracy Class	· CL 2.5
Protection Rate	· IP 65
Mechanical Vibration Test	· 10Hz-150Hz 1 Octave/minute - 3 axis
Mechanical Shock Test Load	· 15g
Fluid Temperature	· Maximum + 60 °C
Ambient Temperature	· - 20 ... + 60 °C
Storage Temperature	· -40 ... +70 °C

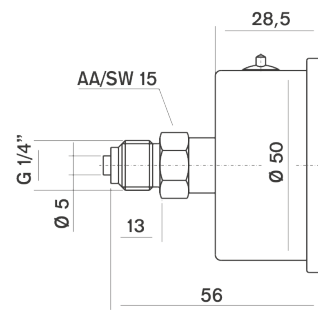
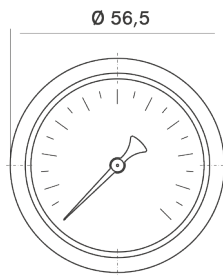
### Constructive Properties

Mounting Type	· Bottom Connection
Scale Unit	· bar/psi
Scale Range (PN)	· 0/2,5 · 0/4 · 0/6 · 0/10 · 0/16 · 0/25 · 0/40 · 0/60 · 0/100 · 0/160 · 0/250 · 0 - 315
Case	· Stainless Steel AISI-304
Bezel	· Stainless Steel AISI-304
Movement	· Brass
Window	· Polycarbonate
Wetted Parts	· Copper Alloy
Connection	· G 1/4" B
Dial	· Aluminum
Pointer	· Aluminum
Welding	· Soldering
Filling Liquid	· Glycerine

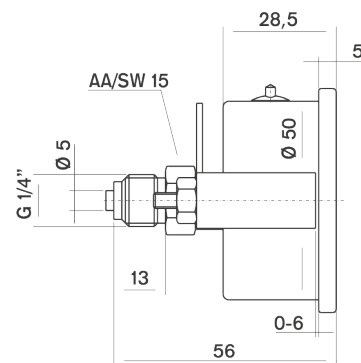
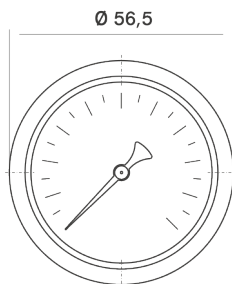
**Technical Drawings - MG 050**



050 10 011 /



050 10 012 /



050 10 013 /