

## Neo-Dyn® Series 132P Pressure Switch/Internal Adjustment

Compact adjustable pressure switch for low to mid-range process applications. Efficient Nega-Rate® Belleville disc spring for set point stability and vibration resistance. Stainless steel wetted materials and hermetically sealed, explosion-proof electricals make this switch ideally suited for hazardous and corrosive media or environments.

### Operating Pressure Data

| Adjustable Range Number | Adjustable Set Point Range |              | Deadband (approximate) | Maximum Recommended System Pressure | Proof Pressure |
|-------------------------|----------------------------|--------------|------------------------|-------------------------------------|----------------|
|                         | Increasing                 | Decreasing   |                        |                                     |                |
| 8                       | 3 to 30                    | 1 to 28      | 2                      | 1350                                | 2000           |
| 9                       | 20 to 80                   | 15 to 75     | 5                      | 1350                                | 2000           |
| 0                       | 80 to 130                  | 67 to 117    | 13                     | 1350                                | 2000           |
| 1                       | 50 to 250                  | 30 to 230    | 20                     | 4000*                               | 6000*          |
| 2                       | 200 to 400                 | 175 to 375   | 25                     | 4000*                               | 6000*          |
| 4                       | 375 to 725                 | 330 to 680   | 45                     | 4000*                               | 6000*          |
| 6                       | 700 to 1500                | 620 to 1420  | 80                     | 4000*                               | 6000*          |
| 7                       | 1500 to 2300               | 1400 to 2200 | 100                    | 4000*                               | 6000*          |

All values given in psig.

\* See Miscellaneous T for higher pressures.

### Standard Specifications

#### Electrical

Snap action electrical switch assemblies, Part Numbers 057-0770 & 057-0772 (Form C) and 057-0771 & 057-0773 (Form CC), are listed by Underwriters' Laboratories, Inc., FM Approvals, CSA International and NCC (INMETRO). See the miscellaneous option N for additional listings.

#### Electrical Connection

1/2 NPT male conduit connection with PVC insulated 18 AWG, 18" long leads

#### Pressure Connection

1/4 NPT Female

#### Temperature Range\*

Ambient: -40°F to +180°F  
(-40°C to +82°C)

Media: -40°F to +250°F  
(-40°C to +121°C)

\* Temperature limits change with O-Ring selection. See Electrical Assembly specification sheet for Temperature Class Ratings.

#### Adjustment

Internal, slotted adjustment nut with range scale

#### Shipping Weight

Approximately 20 ounces



Order Miscellaneous Option "D"



Explosion Proof  
Hermetically Sealed  
(NEMA 4X, 7, 9 and 13)

### Ordering Sequence — Select desired option for each category

#### OPTIONS

##### Wetted Material

- 4 316 stainless steel port and diaphragm, Buna-N O-Ring
- 5 316 stainless steel port and diaphragm heliarc welded

##### Adjustable Range

- 8 1 psig dec. to 30 psig inc. (0.1 bar dec. to 2.1 bar inc.)
- 9 15 psig dec. to 80 psig inc. (1.0 bar dec. to 5.5 bar inc.)
- 0 67 psig dec. to 130 psig inc. (4.6 bar dec. to 9.0 bar inc.)
- 1 30 psig dec. to 250 psig inc. (2.1 bar dec. to 17.2 bar inc.)
- 2 175 psig dec. to 400 psig inc. (12.1 bar dec. to 27.6 bar inc.)
- 4 330 psig dec. to 725 psig inc. (22.8 bar dec. to 50.0 bar inc.)
- 6 620 psig dec. to 1500 psig inc. (42.7 bar dec. to 103.4 bar inc.)
- 7 1400 psig dec. to 2300 psig inc. (96.5 bar dec. to 158.6 bar inc.)

##### Electrical Form

- C 11 amp, 1/4 hp at 125 or 250 VAC; 5 amp resistive, 3 amp inductive at 28 VDC; .5 amp resistive at 125 VDC
- CC 11 amp, 1/4 hp at 125 or 250 VAC; 5 amp resistive, 3 amp inductive at 28 VDC; .5 amp resistive at 125 VDC

##### Enclosure

- 6 Includes an explosion proof, hermetically-sealed electrical assembly. EX d IIC, Division 1 and 2, Class I, Groups A, B, C, and D; Class II, Groups E, F, and G. NEMA 4X, 7, and 9; IP66. Leads are factory sealed and Pressure Switches are Dual Seal Certified.

##### Miscellaneous

- A Epoxy paint exterior — extra protection for severe environments
- B Viton O-Ring
- C EPR O-Ring
- D SIL approval and marking, per IEC61508 (includes FMEA report)
- E 7/16" - 20 SAE Female Port
- G 1/2 NPT Female Port
- H Stainless steel body
- I 3/4 NPT conduit box with terminal strip (Groups C & D only, not available with N option)
- J Annealed stainless steel port screws for H<sub>2</sub>S environments — Consult factory for reduced system and proof pressure ratings
- M Gold electrical contacts for extremely low current applications (1 Amp at 125 VAC; 1 Amp Res, 0.5 Amp Ind. at 28 VDC)
- N ATEX and IECEx with CE Mark
- O Cleaned for Oxygen Service
- R 72" Electrical free leads
- T 6300 psig system, 9450 psig proof, 410 stainless steel screws (Range 1 thru 7 only)

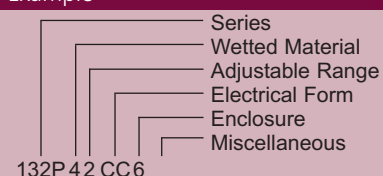
#### Special (Consult representative or factory)

- Non-catalog adjustable range and/or set point, deadband and proof pressure

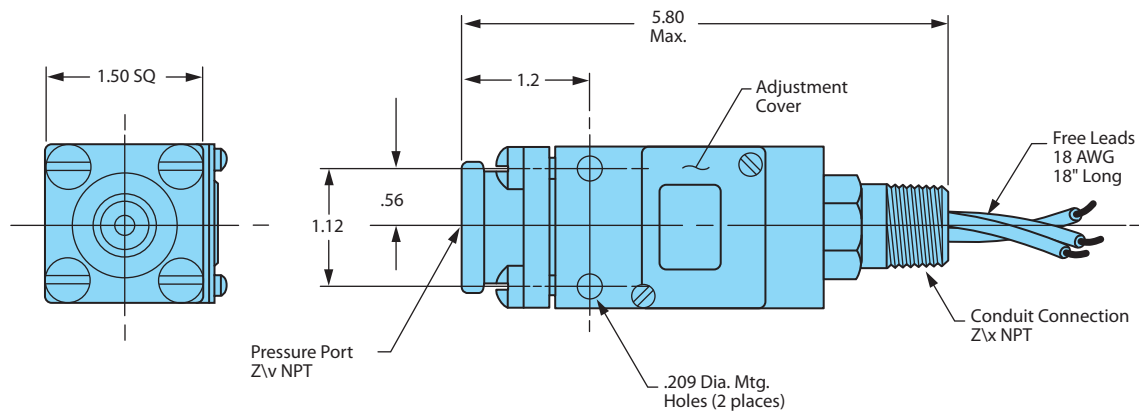
#### Ordering Procedure

- When factory presetting is desired, stipulate set point, increasing or decreasing
- Insert available option number or letter designation as required

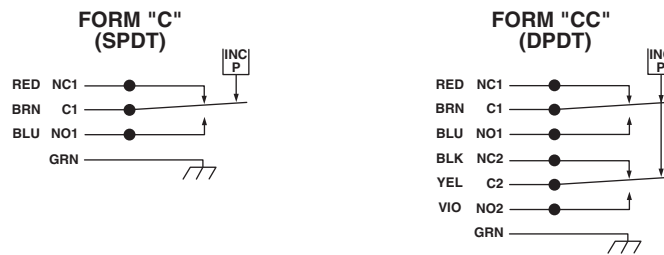
#### Example



Envelope Dimensions



Electrical Form



Basic Principles of Design

